



# OPERATING INSTRUCTIONS

## REMOTE CONTROL PANEL

## WP-700-AM

Thank you for purchasing TOA's Remote Control Panel.

Please carefully follow the instructions in this manual to ensure long, trouble-free use of your equipment.

### 1. GENERAL DESCRIPTION

The WP-700-AM is a remote control switch/volume panel that designed for MA-725F(or MM-700F) amplifiers, which can remote select input source and adjust volume level through Ethernet cable connected to MA-725F(or MM-700F) amplifier. Also it can be mounted in a 1-gang electrical box (American type).

### 2. NOMENCLATURE AND FUNCTIONS

① Input source select

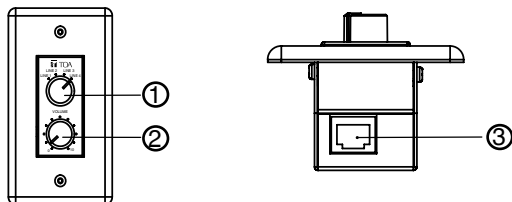
Selects Input source by rotating the knob from LINE1~LINE4  
(Note: MA-725F(or MM-700F) input select switch is invalid when WP-700-AM plugged in.)

② Output volume control

Adjusts volume level by rotating the knob  
(Note: MA-725F(or MM-700F) volume switch is invalid when WP-700-AM plugged in.)

RJ-45 connector

③ Connects to MA-725F(or MM-700F) amplifier or WP-700-AM with a CAT5/5e/6 shielded cable.

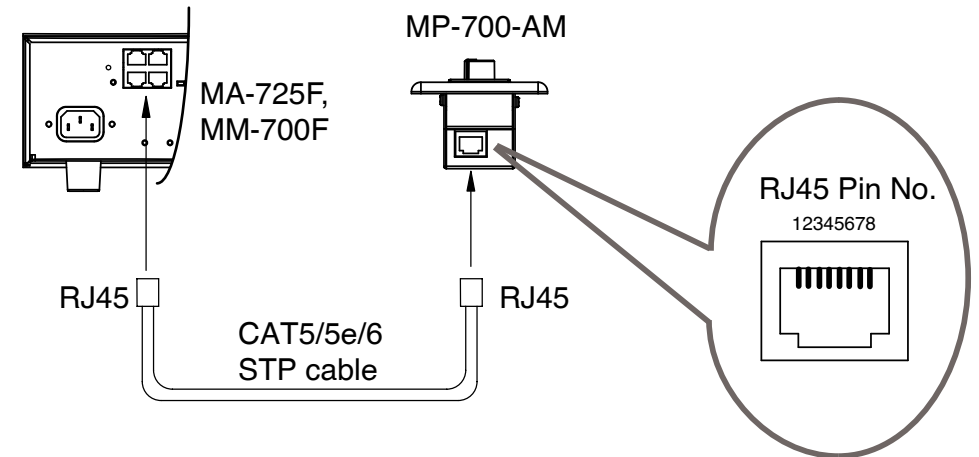


### 3. CONNECTIONS

MA-725F(or MM-700F) amplifier can connect and control Maximum of 4 WP-700-AM remote control panel, It can be connected by CAT5/5e/6 STP cable between the WP-700-AM and the MA-725F(or MM-700F) which length 300 feet in max.

For the method, refer to the instruction manual supplied with the MA-725F(or MM-700F) Amplifier.

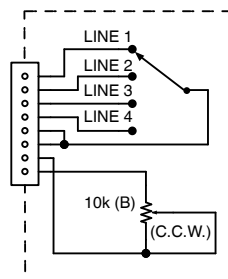
Connection guide as shown below.



MA-725F, MM-700F



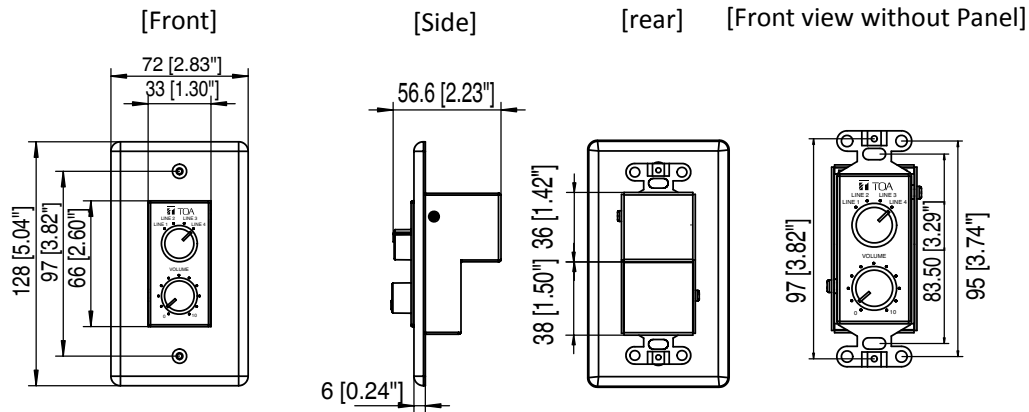
WP-700-AM



RJ45 Pin Assignment	
No.	Definition
1	LINE 1 SW
2	LINE 2 SW
3	LINE 3 SW
4	LINE 4 SW
5	DETECTION OF WP-700-AM(GND)
6	GND
7	REMOTE VOL +
8	REMOTE VOL -

#### 4. DIMENSIONAL DIAGRAMS

Unit: mm[inch]

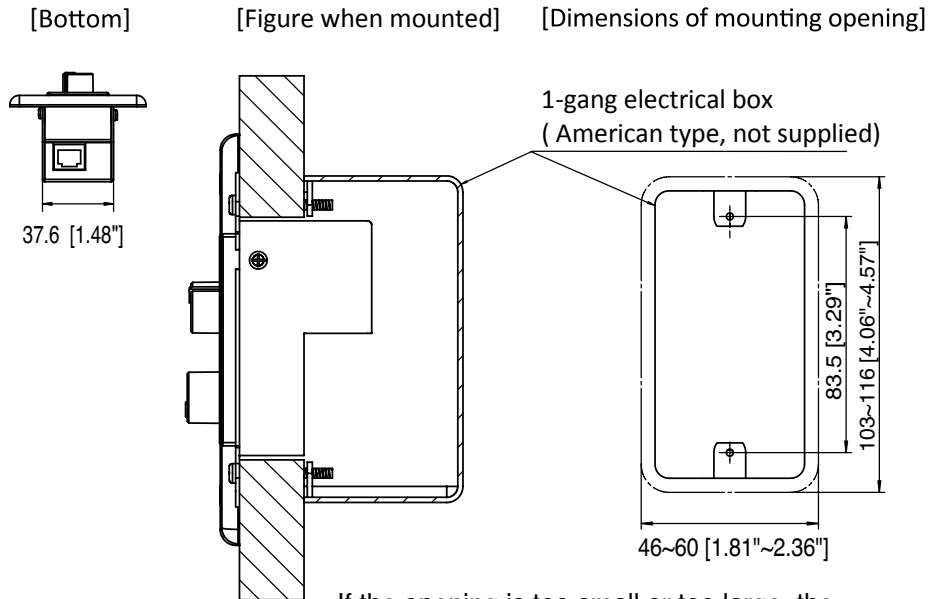


#### 5. SPECIFICATIONS

Applicable Cable	CAT5/5e/6 STP cable
Control Operation	Input select switch x 1, Volume control knob x 1
Terminal	RJ-45 connector
Operation Temperature	-10°C to 40°C (14° F to 104° F)
Finish	Surface treated steel plate, white paint (RAL 9016)
Dimension	72(W) x 128(H) x 56.6(D) mm (2.83" x 5.04" x 2.23")
Weight	188g (0.414 lb)
Accessory	Box mounting screw: No.6-32UNC x 30 ----- 2 Panel mounting screw: No.6-32UNC x 6 ----- 2

#### Note:

- The design and specifications are subject to change without notice for improvement.
- Since no electrical box is supplied with the unit, prepare it separately.



If the opening is too small or too large, the WP-700-AM cannot be mounted in the wall. Be sure to make an opening with dimensions given above when mounting.